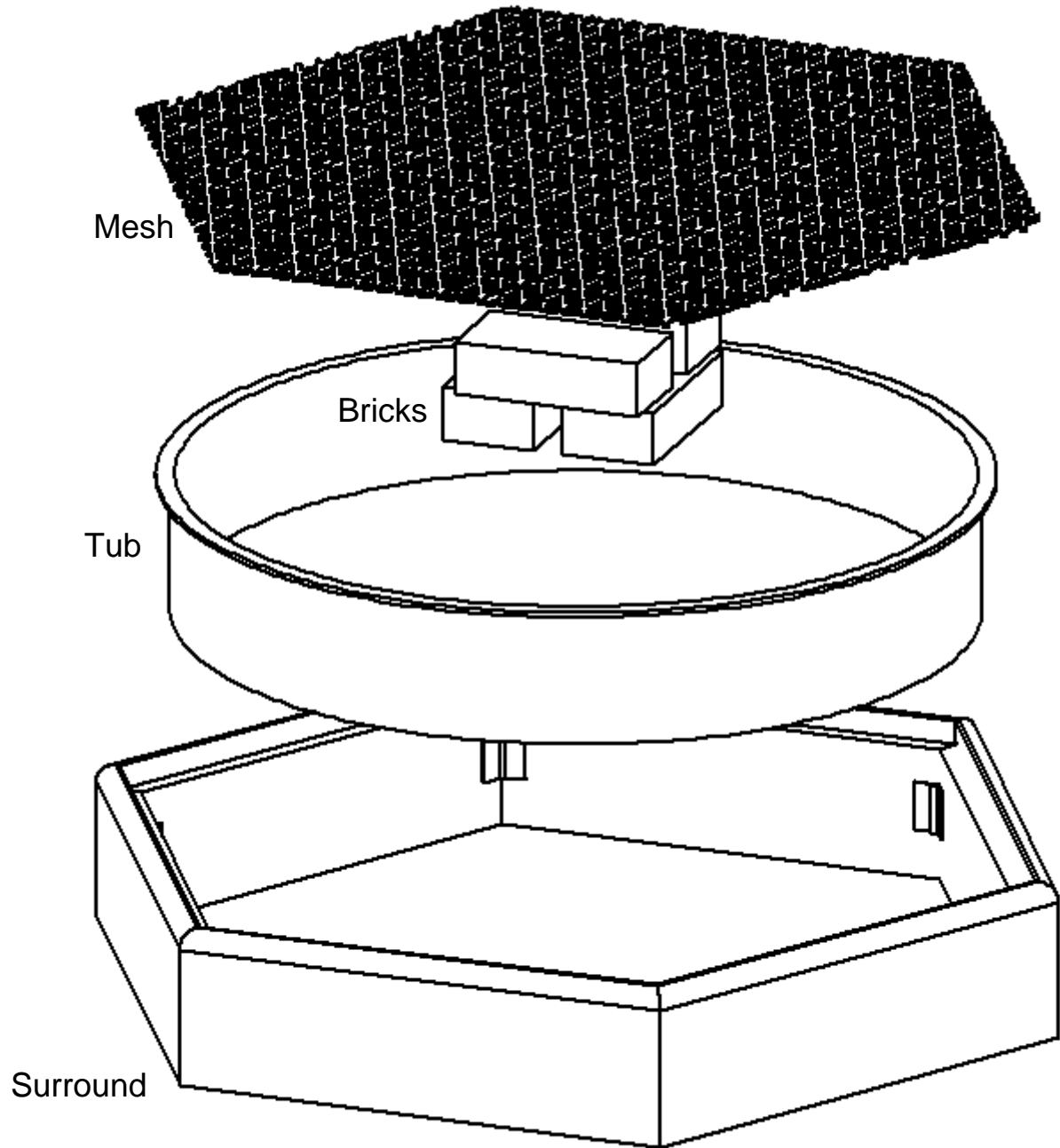


#CB-2 Catch Basin Installation

1. Place tub in desired location keeping in mind the surround tiles will need clearance to fit around.
2. Stack bricks (included) in the center allowing room between them for the tube to fit down.
3. Place mesh on top of tub, aligning center hole with center of the bricks.
4. Place pump under wire mesh with the plug running out between the wire mesh and inner basin.
5. Install the fountain on top of wire mesh centering over bricks.
6. Feed tubing down through fountain, mesh and bricks and connect to the pump.
7. Fill inner basin with water and test fountain set-up.
8. Make any necessary adjustments to level and flow at this time.
9. Assemble granite panels around the setup using the hinges. The pins in each hinge are removable to allow each set of panels to be positioned and then connected to the adjoining set.
10. Cover mesh with pebbles.

STONE
FOREST



#CB-2 Catch Basin Installation