



## C24 INTEGRAL INSTALLATION GUIDELINES

### C24 WALL ATTACHMENT INSTRUCTIONS

#### MARBLE OR TRAVERTINE C24 INTEGRAL SINKS

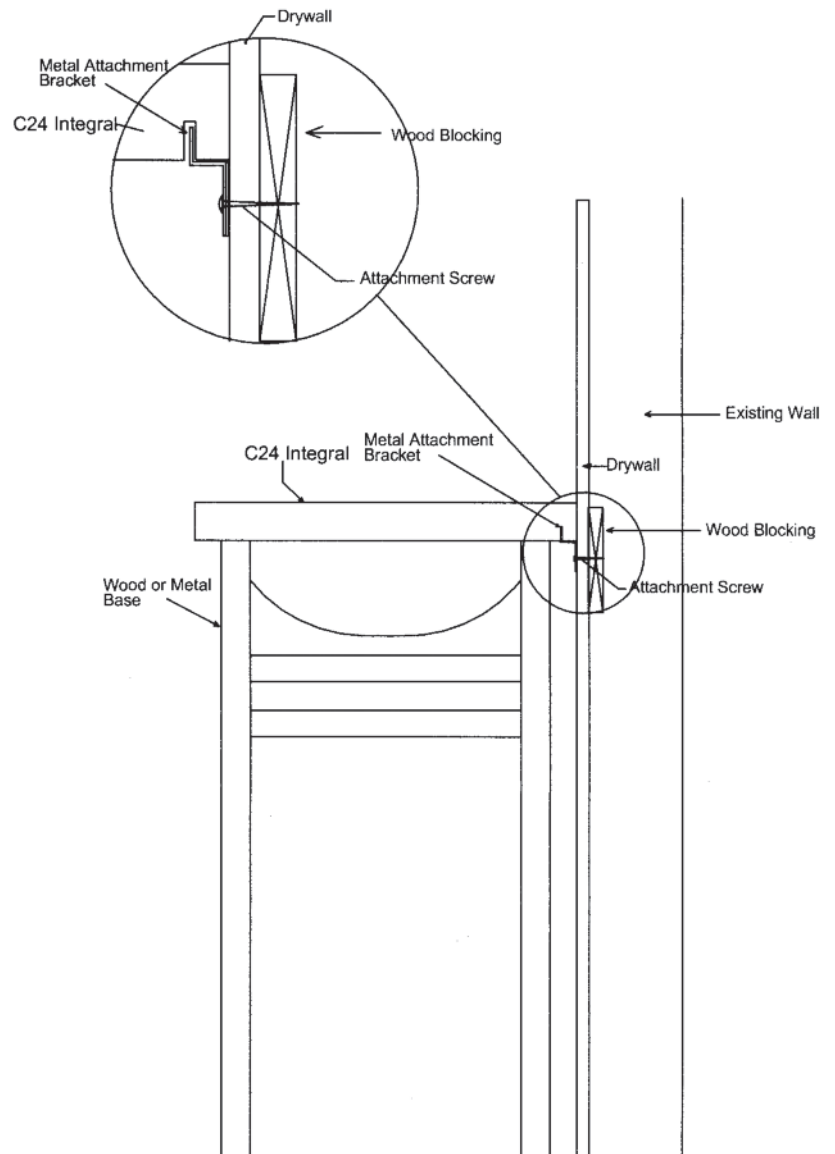
Due to the softness of our marble and travertine C24 Integral Sinks, stabilizing the counter with a metal bracket is not an option. Increased stability can be achieved by bonding the back of the counter to your wall with silicon or construction adhesive.

#### GRANITE C24 INTEGRAL SINKS

Refer to diagram at right for information on how to use the provided metal attachment bracket.

**NOTE:** Metal attachment bracket is meant to be used to stabilize your C24 Granite Integral Sink only. It is not meant to be used to support the Integral Sink. Blocking should be placed inside existing wall and bracket attached to them through the drywall.

Can be drilled for faucet. See price page P12 for drilling charges.



STONE  
FOREST