

ASSEMBLY & INSTALLATION INSTRUCTIONS

Lutezia Console Lavatory Kit 24540, 24545, 24548

INTRODUCTION

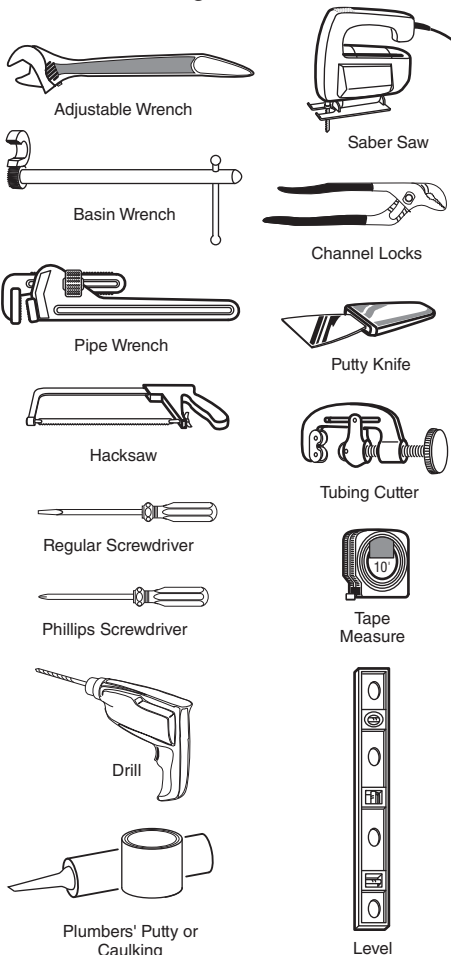
Thank you for selecting our Porcher product. To ensure that your installation proceeds smoothly, read these instructions carefully before you begin. Also, review the recommended tools and materials section. Carefully unpack and examine your new plumbing fixture.

To maintain the beauty of the finish, avoid placing the furniture in direct sunlight, as sunlight causes fading. Also avoid extreme changes in temperature by arranging furniture away from radiators, heat and air vents, and air conditioning units. Avoid placing furniture directly under windows.

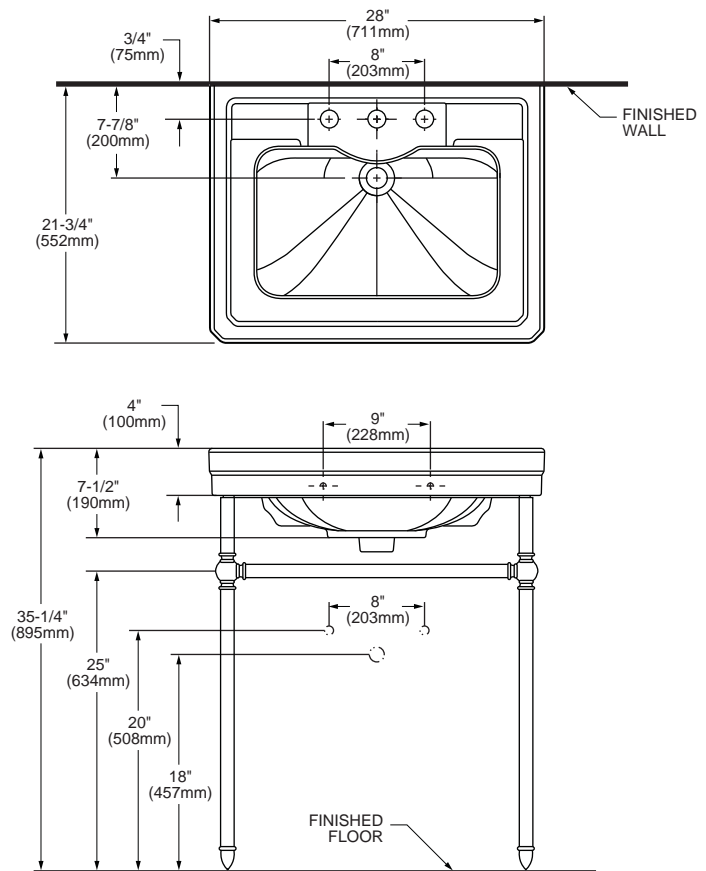
ALL INSTALLATION PROCEDURES MUST COMPLY IN STRICT ACCORDANCE WITH APPLICABLE LOCAL PLUMBING AND BUILDING CODES

Tools and Materials Required

Most of the procedures require the use of common tools and materials, which are available from hardware and plumbing, supply stores. It is essential that the tools and materials be on hand before work is begun.



Roughing-in Dimensions



NOTE: Locate supplies and "P" trap in open area.

Metal Stand Installation

Suitable reinforcement is required for anchoring the vanity to the wall. Determine horizontal centerline location "*" of support from fixture. (see Figure 1).

Rough in supply lines and waste per rough in dimensions.

Move the metal stand into place and anchor it to the wall through the 2 mounting holes in the rear flange of each center rail. The glides can be adjusted, but it is recommended not to exceed 1/2" if possible.

Continue with installation for appropriate sink and faucet options chosen.

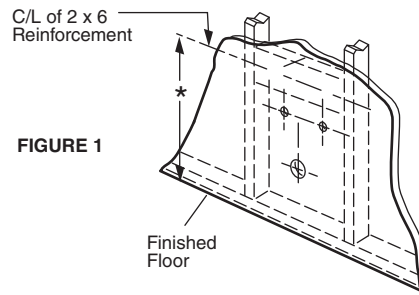


FIGURE 1

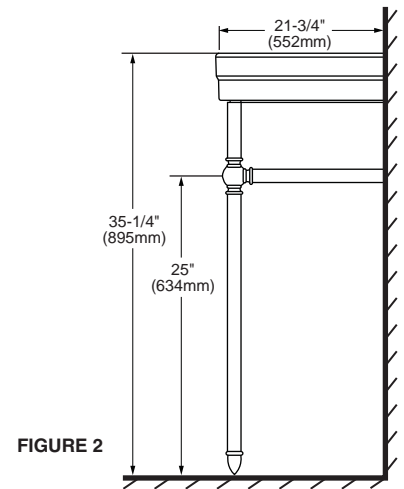


FIGURE 2

Care and Cleaning of Vanity

Clean the product by using soft, slightly damp cloth. Buff the product by using a soft dry cloth. Avoid using silicone cleaners and waxes.

Clean up excess water and spills immediately. Using a blotting rather than a wiping action. Water left over a long period of time will cause white spots in the finish.

NOTE: Please note that some chemicals may damage the finish. Take care to avoid the following: iodine, hair dye, after shave lotion, shaving cream, alcohol, perfume, Lestoil®, Lysol Tub and Tile Cleaner®, Lysol Spray Disinfectant®, Dow Disinfectant®, acetone, paint remover, Formula 409®, Tile-X® and Nair®.

PORCHER FURNITURE LIMITED WARRANTY

If inspection of this Porcher plumbing product, within one year after its initial purchase, confirms that it is defective in materials or workmanship, Porcher will repair or, at its option, exchange the product for a similar model. Variations in actual wood color and finishes which may result from natural characteristics of the wood, such as grain patterns, mineral streaks and the like, are not defects and are not covered by this warranty.

This warranty applies only to the original purchaser and installation of these products. In the event of a claim, proof of purchase will be required; save your receipt.

This limited warranty **does not apply** to local building code compliance. Since local building codes vary considerably, the purchaser of this product should check with a local building or plumbing contractor to insure local code compliance before installation.

This warranty **is void** if the product has been moved from its initial place of installation; if it has been subjected to faulty maintenance, abuse, misuse, accident or other damages; if it was not installed in accordance with Porcher's instructions; or if it has been modified in a manner inconsistent with the product as shipped by Porcher.

Porcher's option to repair or exchange the product under this warranty does not cover any labor or other costs of removal or installation, nor shall Porcher be responsible for any other incidental or consequential damages attributable to a product defect or to the repair or exchange of a defective product, all of which are expressly excluded from this warranty. This limited warranty **does not** cover any liability for consequential or incidental damages, all of which are hereby expressly disclaimed, or the extension beyond the duration of this limited warranty of any implied limited warranties, including those of merchantability or fitness for an intended purpose. (Some states or provinces do not allow the exclusion or limitation of implied warranties, so this exclusion may not apply to you).

This warranty gives you specific legal rights. You may have other statutory rights that vary from state to state or province to province, in which case this warranty does not affect such statutory rights.

In the United States:

Porcher
P.O. Box 6820
Piscataway, New Jersey, 08855
Attention: Director of Consumer Affairs

For residents of the United States, warranty information may also be obtained by calling the following toll free number: (800) 359-3261

In Canada:

Porcher
5900 Avebury Road
Mississauga, Ontario
Canada L5R 3M3

Toronto Area: (905) 306-1093
Toll Free: (800) 387-0369

In Mexico:

Porcher
Planta Santa Clara
Via Morelos #330
Santa Clara Coatitla
Ecatepec de Morelos 55540,
Estado de Mexico, Mexico